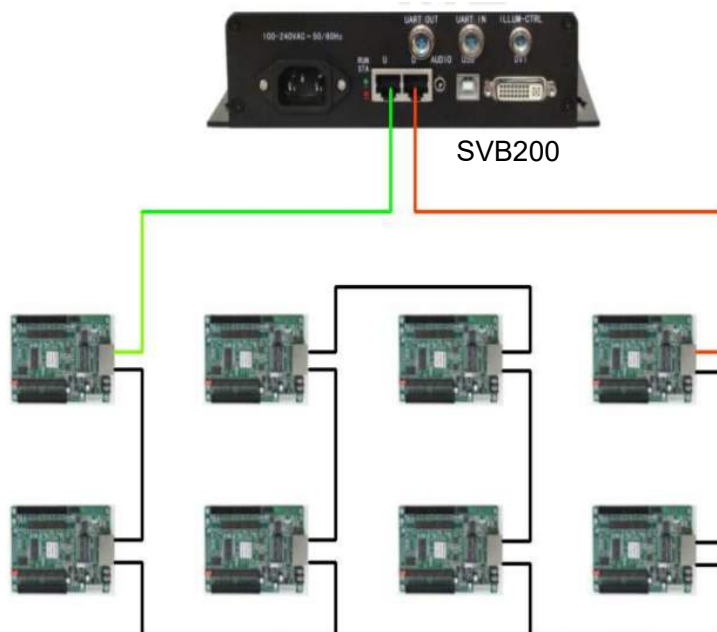




The SVB200 is a standard model of Starview. data processing, sending the audio and video to the LED display. It communicates with PC via USB port for convenience. The SVB200 feature following advantages, better satisfying users' requirements:

- 2 types of input connectors: 1x SL-DVI and 1x AUDIO
- 2 Ethernet port outputs with capacity of 1.3 million pixels;
- Cascading ports (UART OUT/IN) have adopted aviation plug which is stable and reliable;
- Supports resolution of 1280x1024, 1024x1200, 1600x848, 1920x712 or 2048x668;
- 1 light sensor interface;
- USB interface which can be cascaded for uniform control;
- Support redundancy between Ethernet ports.



*Hot backup can work with an additional sending card or using the additional ports on the same sending card*

# SVB200 Specifications

Indicator	Status	Description
RUN (Green)	Slow flashing (flashing once in 2s)	No video input is available.
	Normal flashing (flashing 4 times in 1s)	The video input is available.
	Fast flashing (flashing 30 times in 1s)	The screen is displaying the startup image.
	Breathing	The Ethernet port redundancy has taken effect
STA (Red)	Always on	The power supply is normal.
	Off	The power is not supplied, or the power supply is abnormal.
Connector Type	Connector Name	Description
Input	DVI	1x SL-DVI input connector <ul style="list-style-type: none"> <li>• Resolutions up to 1920x1200@60Hz</li> <li>• Custom resolutions supported</li> <li>• Maximum width: 3840 (3840x600@60Hz)</li> <li>• Maximum height: 3840 (548x3840@60Hz)</li> </ul>
	AUDIO	Audio input connector
Output	2x RJ45	2x RJ45 Gigabit Ethernet ports <ul style="list-style-type: none"> <li>• Capacity per port up to 650,000 pixels</li> <li>• Redundancy between Ethernet ports supported</li> </ul>
Functionality	LIGHT SENSOR	Connect to a light sensor to monitor ambient brightness to allow for automatic screen brightness adjustment.
Control	USB	Type-B USB 2.0 port to connect to PC
	UART IN/OUT	Input and output ports to cascade devices. Up to 20 devices can be cascaded.

## Environment and Power:

Electrical Specifications	Input voltage	AC 100V-240V~50/60Hz
	Rated power consumption	3.0 W
Environment	Temperature	-20°C to +60°C
	Humidity	10% RH to 90% RH, non-condensing
Certifications	EAC, RoHS, CE, FCC, IC, PFOS, CB	